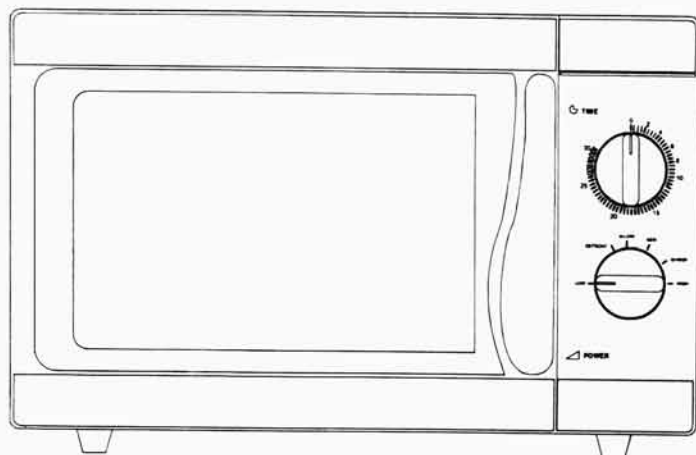




## Microwave Oven

This owner's guide book is for the following 900 watts microwave oven model:

HM-901



1. READ these instructions carefully before installing and operating the oven. Keep them for further reference.
2. Record in the space below the SERIAL NO. found on the nameplate on your oven and retain this information for future reference.

SERIAL NO.:

3. Complete and return the attached warranty card.

## CONTENTS

Precautions to Avoid Possible Exposure to Excessive Microwave Energy.....1	Important Safety Instructions .....3
Specifications.....1	Microwave Cooking Principles.....4
Before You Call for Service.....2	Utensils Guide.....5
Installation.....2	Part Names.....5
Grounding Instructions.....2	Control Panel.....6
Radio Interference.....3	Operation.....6
	Cleaning and Care.....7

### **PRECAUTIONS TO AVOID POSSIBLE EXPOSURE TO EXCESSIVE MICROWAVE ENERGY**

- (a) Do not attempt to operate this oven with the door open since open-door operation can result in harmful exposure to microwave energy. It is important not to defeat or tamper with the safety interlocks.
- (b) Do not place any object between the oven front face and the door or allow soil or cleaner residue to accumulate on sealing surfaces.
- (c) Do not operate the oven if it is damaged. It is particularly important that the oven door close properly and that there is no damage to the :
- ① Door ( bent ),
  - ② Hinges and latches ( broken or loosened ),
  - ③ Door seals and sealing surfaces.
- (d) The oven should not be adjusted or repaired by anyone except properly qualified service personnel.

### **SPECIFICATIONS**

Power Consumption:	230V~50Hz,1400W
Output:	900W
Operation Frequency:	2450MHz
Outside Dimensions:	305mm(H) X 508mm(W) X 420mm(D)
Oven Cavity Dimensions:	215mm(H) X 350mm(W) X 330mm(D)
Oven Capacity:	23Litres
Cooking Uniformity:	Turntable System { $\Phi$ 314mm}
Net Weight:	Approx.15.6kg

## **BEFORE YOU CALL FOR SERVICE**

If the oven fails to operate:

A) Check to ensure that the oven is plugged in securely. If it is not, remove the plug from the outlet, wait 10 seconds and plug it in again securely.

B) Check for a blown circuit fuse or a tripped main circuit breaker. If these seem to be operating properly, test the outlet with

another appliance.

C) Check to ensure that the control panel is programmed correctly and the timer is set.

D) Check to ensure that the door is securely closed engaging the door safety lock system. Otherwise, the microwave energy will not flow into the oven.

IF NONE OF THE ABOVE RECTIFY THE SITUATION, THEN CONTACT A QUALIFIED TECHNICIAN. DO NOT TRY TO ADJUST OR REPAIR THE OVEN YOURSELF.

## **INSTALLATION**

1. Make sure that all the packing materials are removed from the inside of the door.
2. Check the oven for any damage, such as misaligned or bent door, damaged door seals and sealing surface, broken or loose door hinges and latches and dents inside the cavity or on the door. If there is any damage, do not operate the oven and contact a qualified service personnel .
3. This microwave oven must be placed on a flat, stable surface to hold its weight and the heaviest food likely to be cooked in the oven.
4. Do not place the oven where heat, moisture or high humidity are generated, or near combustible materials.
5. For correct operation, the oven must have sufficient air flow. Allow 20cm of space above the oven, 10cm at back and 5cm at both sides. Do not cover or block any openings on the appliance. Do not remove feet.
6. Do not operate the oven without glass tray, roller support, and shaft in their proper positions.
7. Make sure that the power supply cord is undamaged and does not run under the oven or over any hot or sharp surface.
8. The socket must be readily accessible so that it can be easily unplugged in an emergency.
9. Do not use the oven outdoors.

## **GROUNDING INSTRUCTIONS**

This appliance must be grounded. This oven is equipped with a cord having a grounding wire with a grounding plug. It must be plugged into a wall receptacle that is properly installed and grounded. In the event of an electrical short circuit, grounding reduces risk of electric shock by providing an

escape wire for the electric current. It is recommended that a separate circuit serving only the oven be provided. Using a high voltage is dangerous and may result in a fire or other accident causing oven damage.

**WARNING:** Improper use of the grounding plug can result in a risk of electric shock.

**Notes:** 1. If you have any questions about the grounding or electrical instructions, consult a qualified electrician or service person.

2. Neither the manufacturer nor the dealer can accept any liability for damage to the oven or personal injury resulting from failure to observe the electrical connection procedures.

The wires in this mains cable are colored in accordance with the following code:

**Green and Yellow = EARTH**

**Blue = NEUTRAL**

**Brown = LIVE**

## **RADIO INTERFERENCE**

1. Operation of the microwave oven can cause interference to your radio, TV or similar equipment.
2. When there is interference, it may be reduced or eliminated by taking the following measures:
  - a. Clean door and sealing surface of the oven.
  - b. Reorient the receiving antenna of radio or television.
  - c. Relocate the microwave oven with respect to the receiver.
  - d. Move the microwave oven away from the receiver.
  - e. Plug the microwave oven into a different outlet so that microwave oven and receiver are on different branch circuits.

## **IMPORTANT SAFETY INSTRUCTIONS**

When using electrical appliance basic safety precautions should be followed, including the following:

**WARNING:** To reduce the risk of burns, electric shock, fire, injury to persons or exposure to excessive microwave energy:

1. Read all instructions before using the appliance.
2. Use this appliance only for its intended use as described in this manual. Do not use corrosive chemicals or vapors in this appliance. This type of oven is specifically designed to heat, cook or dry food. It is not designed for industrial or laboratory use.
3. Do not operate the oven when empty.
4. Do not operate this appliance if it has a damaged cord or plug, if it is not working properly or if it has been damaged or dropped.
5. As with any appliance, close supervision is

- necessary when used by children.
- To reduce the risk of fire in the oven cavity:
    - Do not overcook food. Carefully attend appliance if paper, plastic or other combustible materials are placed inside the oven to facilitate cooking.
    - Remove wire twist-ties from paper or plastic bags before placing bag in oven.
    - If materials inside the oven should ignite, keep oven door closed, turn oven off and disconnect the power cord or shut off power at the fuse or circuit breaker panel.**
    - Do not use the cavity for storage purposes. Do not leave paper products, cooking utensils or food in the cavity when not in use.
  - Liquid or other food must not be heated in sealed containers since they are liable to explode.
  - Microwave heating of beverage can result in delayed eruptive boiling, therefore care has to be taken when handle the container.
  - Do not fry food in the oven. Hot oil can damage oven parts and utensils and even result in skin burns.
  - Whole eggs should not be heated in the oven since they may explode.
  - Pierce foods with heavy skins such as potatoes, whole squash, apples and chestnuts before cooking.
  - The contents of feeding bottles and baby jars should be stirred or shaken and the temperature should be checked before serving in order to avoid burns.
  - Cooking utensils may become hot because of heat transferred from the heated food. Potholders may be needed to handle the utensil.
  - Utensils should be checked to ensure that they are suitable for use in microwave oven.
  - WARNING:** It is hazardous for anyone other than a trained person to carry out any service or repair operation which involves the removal of any cover which gives protection against exposure to microwave energy.

## **MICROWAVE COOKING PRINCIPLES**

- Arrange food carefully. Place thickest areas towards outside of dish.
- Watch cooking time. Cook for the shortest amount of time indicated and add more as needed. Food severely overcooked can smoke or ignite.
- Cover foods while cooking. Covers prevent spattering and help foods to cook evenly.
- Turn foods over once during microwaving to speed cooking of such foods as chicken and hamburgers. Large items like roasts must be turned over at least once.

5. Rearrange foods such as meatballs halfway through cooking both from top to bottom and from the center of the dish to the outside.

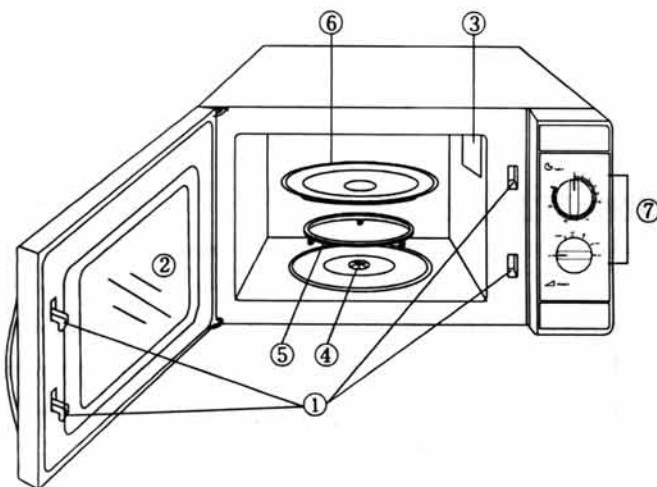
## **UTENSILS GUIDE**

1. The ideal material for a microwave utensil is transparent to microwave, it allow energy to pass through the container and heat the food.
2. Microwave can not penetrate metal, so metal utensils or dishes with metallic trim should not be use.
3. Do not use recycled paper products when microwave cooking, as they may contain small metal fragments which may cause sparks and/or fires .
4. Round /oval dishes rather than square/oblong ones are recommend, as food in corners tends to overcook.

The list below is a general guide to help you select the correct utensils.

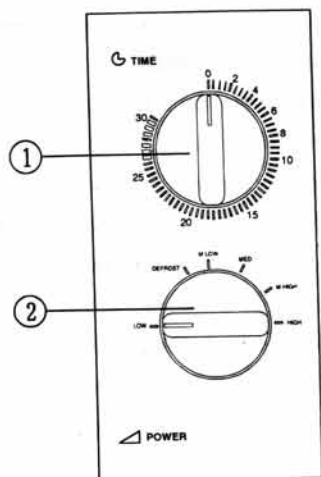
Cookware	Microwave Cooking
Heat-Resistant Glass	Yes
Non Heat-Resistant Glass	No
Heat-Resistant Ceramics	Yes
Microwave-Safe Plastic Dish	Yes
Kitchen Paper	Yes
Metal Tray	No
Metal Rack	No
Aluminum Foil & Foil Containers	No

## **PART NAMES**



- ① Door Safety Lock System
- ② Oven Window
- ③ Oven Air Vent
- ④ Shaft
- ⑤ Roller Ring
- ⑥ Glass Tray
- ⑦ Control Panel

# CONTROL PANEL



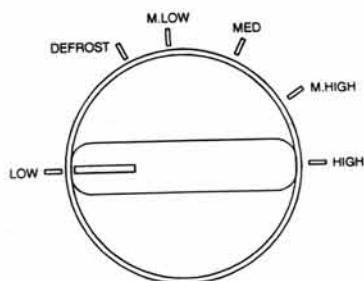
① Timer (0~30 minutes)

② Power Select Control

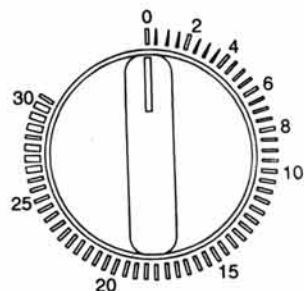
HIGH	100%	Power Output
M.HIGH	85%	Power Output
MED	66%	Power Output
M.LOW	48%	Power Output
DEFROST	40%	Power Output
LOW	17%	Power Output

## OPERATION

To set a cooking program: place food in oven and close the door.



Turn Power Select Control to needed power level.



Use Timer to select correct cooking time.

**NOTE:** As soon as the timer is turned, oven will start cooking.

When selecting time for less than 2 minutes, turn timer past 2 minutes and then return to the correct time.

**CAUTION:** ALWAYS RETURN TIMER BACK TO ZERO POSITION if food is removed from oven before the set cooking time is complete or when oven is not in use. To stop oven during cooking process, pull the door handle and open the door.

## **CLEANING AND CARE**

1. Turn off the oven and remove the power plug from the wall socket before cleaning.
2. Keep the inside of the oven clean. When food splatters or spilled liquids adhere to oven walls, wipe with a damp cloth. Mild detergent may be used if the oven gets very dirty. Avoid the use of spray and other harsh cleaners as they may stain, streak or dull the door surface.
3. The outside surfaces should be cleaned with a damp cloth. To prevent damage to the operating parts inside the oven, water should not be allowed to seep into the ventilation openings.
4. Wipe the window on both sides with a damp cloth to remove any spills or splatters.
5. Do not allow the control panel to become wet. Clean with a soft, damp cloth. When cleaning the control panel, leave oven door open to prevent oven from accidentally turning on.
6. If steam accumulates inside or around the outside of the oven door, wipe with a soft cloth. This may occur when the microwave oven is operated under high humidity conditions, this is normal.
7. It is occasionally necessary to remove the glass tray for cleaning. Wash the tray in warm sudsy water or in a dishwasher.
8. The roller ring and oven floor should be cleaned regularly to avoid excessive noise. Simply wipe the bottom surface of the oven with mild detergent. The roller ring may be washed in mild sudsy water or dishwasher. When removing the roller ring from cavity floor for cleaning, be sure to replace in the proper position.
9. Remove odors from your oven by combining a cup of water with the juice and skin of one lemon in a deep microwaveable bowl, microwave for 5 minutes. Wipe thoroughly and dry with a soft cloth.
10. When it becomes necessary to replace the oven light, please consult a dealer to have it replaced.





## MANUAL DE USUARIO

HORNO  
MICROONDAS  
MODELO:  
HM-901

## INSTALACIÓN

- 1.- Asegúrese que todos los materiales de embalaje sean retirados del interior de la puerta del horno.
- 2.- Revise el horno después de desembalarlo para controlar algún daño como:
  - \* Puerta mal alineada
  - \* Puerta dañada (o rota)
  - \* Roturas en la ventana de la Puerta y pantalla.
  - \* Roturas en el interior
  - \* Si algo de esto es visible NO USE el horno.
- 3.- Este horno microondas pesa 34.41bs. 15.6kg y debe estar ubicado sobre una superficie suficientemente fuerte para soportar este peso.
- 4.- Este microondas debe estar ubicado lejos de lugares con alta temperatura y vapor.
- 5.- No ponga nada encima del horno.
- 6.- Mantenga el horno a una distancia no menor de 8 cm. en cada costado y 10 cm. detrás para asegurarse que tenga una correcta ventilación.
- 7.- No saque la bandeja giratoria.
- 8.- Como todo aparato eléctrico necesita ser supervisado cuando sea utilizado por niños.

## ADVERTENCIA. ESTE APARATO DEBE TENER CONEXIÓN DE DESCARGA A TIERRA

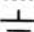
- 1.- El cable tiene 1.0 m. de largo. la toma de corriente debe estar cerca de este cable.
  - 2.-Este horno requiere 1.40 KW/Amp. para su instalación. La consulta a un especialista es sugerida en el momento de instalar el horno.
- Precaución: Este horno está protegido internamente por un fusible de 250 V,12Amp..

## IMPORTANTE

Los alambres del cable principal están coloreados de acuerdo al siguiente código

Verde y Amarillo	Tierra
Azul	Neutro
Marrón	Carga eléctrica

Como los colores de los alambres del cable principal del aparato pueden no coincidir con las marcas coloreadas identificando las terminales en su enchufe, proceda de la siguiente manera.

El cable de color verde y amarillo deberá estar conectado a la terminal en el enchufe que está marcado con la letra E o por el símbolo de tierra  de color verde o verde y amarillo. El cable que está coloreado azul deberá estar conectado a la terminal que está marcada con la letra N o coloreada en negro. El cable que está coloreado en marrón deberá estar conectado a la terminal que está marcada con la letra L o coloreado de rojo.

## ESPECIFICACIONES

Voltaje / Frecuencia	230V~50Hz
Potencia de Consumo	1400W
Potencia de Salida	900W
Frecuencia Microondas	2450MHz
Capacidad Interna	23 litros
Sist. plato giratorio	314 mm
Peso	15.6kg

## ANTES DE LLAMAR AL SERVICIO TECNICO

1. Si el microondas no funciona, el display no aparece o desaparece.

a) Chequee que el horno esté bien enchufado, si no es así, saque el enchufe de la red, espere 10 segundos y enchúfelo nuevamente.

b) Controle que no hubiera cortocircuito en el tomacorriente o en el disyuntor. Si parecieran funcionar correctamente, pruebe el tomacorriente con otro aparato.

2. Si no llega la electricidad al microondas:

a) Controle para ver que el panel esté programado correctamente y que el reloj esté conectado.

b) Controle para asegurarse que la puerta esté firmemente cerrada para encajar en las trabas de seguridad. De lo contrario, la energía del microondas no entrará al horno.

SI NADA DE ESTO RECTIFICA LA SITUACIÓN, ENTONCES CONTÁCTE CON EL SERVICIO TÉCNICO AUTORIZADO MAS CERCANO.

## INTERFERENCIA RADIAL

Los hornos microondas pueden causar interferencia a sus radios, TV o equipos similares. Cuando las interferencias ocurren, deben ser eliminadas o reducidas procediendo de la siguiente manera:

a) Limpie la puerta y la superficie sellada del horno.

b) Ubique la radio, TV, etc. lejos de su horno.

c) Use una antena instalada adecuadamente para su radio, TV, etc, para recibir una buena señal.

## INSTRUCCIONES IMPORTANTES

**ADVERTENCIA.** Para reducir el riesgo de quemaduras, shock eléctrico, incendio, lastimaduras en personas o excesiva potencia:

1. Lea todas las instrucciones antes de usar su horno microondas.

2. Algunos productos como huevos y envases cerrados (por ej. jarras de vidrio cerradas) pueden explotar y no deben ser calentadas en el microondas.

3. Use este horno microondas solo para su uso determinado como se indica en este manual.

4. Como en todo aparato se hace necesaria la supervisión de un adulto cuando lo usan los niños.

5. No use el horno si no funciona correctamente o si ha sido dañado o si se ha caído.

6. Para reducir el riesgo de incendio en el interior del horno:

- a) No caliente la comida en exceso. No desatienda el horno microondas si hubiera papel, plástico u otros materiales dentro del horno para facilitar la cocción.
- b) Retire los alambres de las bolsas antes de introducirlos en el horno.
- c) Si los materiales dentro del horno prendieran fuego mantenga la puerta cerrada gire la perilla a OFF o desconecte el horno del enchufe.

#### INSTRUCCIONES DE SEGURIDAD PARA USO GENERAL

En la lista enunciada a continuación están ciertas reglas para seguir y asegurarse una alta performance de este horno.

1. Tenga siempre la bandeja de vidrio, las brazos giratorios, las conexiones y los carriles en su sitio cuando haga funcionar el horno.
2. Use el horno sólo para preparar comidas y no para secar la ropa, papeles u otros ítems ue no sean de origen comestible o para esterilizar mamaderas.
3. No haga funcionar el horno cuando esté vacío. Esto puede dañarlo
4. No guarde en el horno ni papeles ni libros de cocina etc.
5. No use el horno para preparar conservas caseras, los microondas no están hechos para permitir un enlatado adecuado, La comida mal enlatada puede echarse a perder y su consumo es peligroso.
6. No cocine huevos con sus cáscaras pues pueden explotar.
7. No cocine alimentos rodeados de otros como las yemas de huevo, ó, higados de pollo sin anteg pincharlos varias veces con un tenedor.
8. No introduzca ningún objeto en las aberturas del horno.
9. No retire partes del horno como las patitas de apoyo, tornillos, piezas de encasyre, etc.
- 10.No cocine comidas directamente sobre la bandeja de vidrio.

#### 11.IMPORTANTE UTENSILIOS DE COCINA QUE NO SE DEBEN USAR DENTRO DEL HORNO MICROONDAS

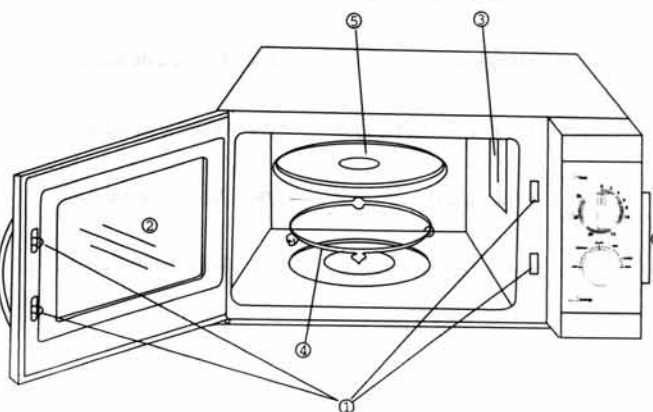
- a) No use cacerolas de metal o fuentes con manijas de metal.
  - b) No use nada que tenga adornos de metal
  - c) Use solo bolsas para microondas. No use cierres metálicos
  - d) No use fuentes de melamina pues éstas contienen un material que absorberá la energía del microondas. Esto podrá causar que las fuentes se quiebren o se quemen y podría demorar el tiempo de cocción.
  - e) Use solo termómetros para microondas.
12. Los utensilios del horno microondas deben usarse sólo de acuerdo con las instrucciones del fabricante.
13. No intente freír alimentos en el horno.
14. Por favor recuerde que un microondas calienta solo el contenido del envase, no el envase. Por lo tanto, si la tapa del envase no está caliente al tacto cuando se retira del horno, recuerde que el contenido podría despedir una fuerte cantidad de vapor cuando se retire la tapa.
15. Controle siempre la temperatura de la comida especialmente si está calentando comida / líquidos para beber. Déjela enfriar unos minutos y remuévala unos minutos para distribuir el calor en forma pareja.
16. Las comidas que contienen grasa y agua por ej.: carne de grasa deberán permanecer por 30-60 segundos en el horno después de que se apague. Esto permitirá

que la mezcla se asiente y evitará burbujas al introducir una cuchara en la preparación o si se agrega un cubito de carne.

17. Recuerde que hay ciertas comidas como por ej.: budines, mermeladas y carnes sin grasas que se cocinan muy rápido. Al cocinar o calentar alimentos con un alto contenido de grasa o azúcar no use recipientes de plástico.

18. Los utensilios de cocina pueden recalentarse por el calor que le transfiere la comida. Esto es así si el envoltorio plástico ha estado cubriendo la parte superior y las manijas del utensilio. Será necesario usar agarraderas y o posafuentes para manejar los utensilios.

#### DIAGRAMA DE CARACTERISTICAS



- ( 1 ) SISTEMA DE TRABAS DE SEGURIDAD
- ( 2 ) VISOR DE HORNO
- ( 3 ) LUZ
- ( 4 ) BRAZO GIRATORIO
- ( 5 ) PLATO GIRATORIO
- ( 6 ) PANEL DE CONTROL

Mientras la bandeja gira, esta se eleva y vuelve a su posición normal con cada rotación. Este sistema sumamente avanzado asegura una cocción más profunda

#### PUNTOS IMPORTANTES PARA RECORDAR

**Bandeja giratoria:** Ubicada en el centro del brazo Use solo la bandeja suministrada con este horno.

**de vidrio :** Nota: la bandeja puede trabarse. Esto es normal y no afecta su funcionamiento de cocción.

**Brazo giratorio:** Ubique, el brazo giratorio en el enganche y controle que esté la identificación UP en la parte superior.

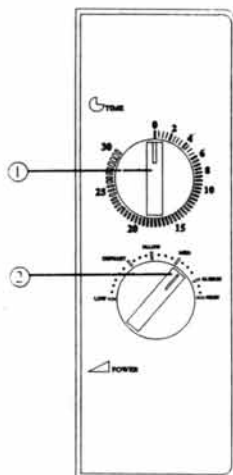
**Carril del brazo giratorio:** Retire el brazo giratorio solo cuando necesite limpiarlo. Cuando lo coloque en el microondas , alinee la depresión en la parte inferior del carril con las 3 salidas en el fondo de la cavidad, Eslo ayudará al carril giratorio en su sitio

**Acople:** No lo saque de su sitio.

El brazo giratorio, el carril, y la superficie del horno deben ser limpiadas con frecuencia para un mejor funcionamiento del microondas.

## PANEL DE CONTROL

Siga las instrucciones respecto a como usar los controles del horno.



1.- Reloj/Tiempo 0-30m.

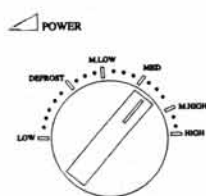
2.- Control de selección de Potencia

HIGH(Maxima)	100% Potencia de Salida
M.HIGH(Media Alta)	85% Potencia de Salida
MED(Media)	66% Potencia de Salida
M.LOW(Media Baja)	48% Potencia de Salida
LOW(Baja)	17% Potencia de Salida
Defrost (Descongelar)	40% Potencia de Salida

## FUNCIONAMIENTO

Para programar un programa de cocción.

Coloque la preparación en el horno



\* Gire el control de selección de potencia al nivel requerido



\* Seleccione el tiempo correcto de cocción usando el timer.

Nota: Tan pronto como se programe el timer, el horno comenzará a cocinar.

Cuando se seleccione el tiempo por menos de 2m. gire el time pasando 2m. y luego retorne al tiempo desedido.

### RETORNE SIEMPRE EL TIMER A LA POSICION CERO

Si la comida es sacada del horno antes que el tiempo programado de cocción se haya completado y cuando el horno no este en uso.

### PARA DETENER EL HORNO

Cuando se elija un programa de cocción, empuje el boton de la puerta y ábrala.

Las microondas automáticamente dejaran de fluir en la cavidad del horno debido al sistema de seguridad del cierre de la puerta. Si el resto del tiempo de cocción no se necesita, gire el timer hacia la posición 0 cero. antes de cerrar la puerta.

## CUIDADO DE SU HORNO MICROONDAS

1. Apague el horno y retire el enchufe del tomacorriente antes de limpiarlo
2. Mantenga el interior del horno limpio. Cuando las salpicaduras de comida o los líquidos derramados se adhieren a las paredes del horno, páselos un trapo húmedo. Un detergente suave puede ser usado si el horno estuviera muy sucio. No se recomienda el uso de detergentes duros o abrasivos.
3. Las superficies externas del horno deben limpiarse con un trapo húmedo. Para evitar daños que pudieran ocurrir en las partes internas del horno evite que entre agua por las aberturas de ventilación.
4. No permita que el Panel de Control se moje. Límpielo con un trapo húmedo y suave. No use detergentes, abrasivos o sprays limpiadores en el Panel de Control. Cuando limpie el panel de Control deje la puerta del horno abierta para prevenir que el horno comience a funcionar accidentalmente.
5. Si se acumula el vapor o alrededor del exterior de la puerta del horno, límpielo con un trapo suave. Esto puede ocurrir cuando el horno microondas es operado bajo altas condiciones de humedad y de ninguna manera indica mal funcionamiento del mismo.
6. Ocasionalmente es necesario retirar el plato giratorio para limpiarlo. Lave la bandeja en agua tibia jabonosa o en un lavaplatos.
7. El carril del brazo giratorio y el interior del piso del horno deberá ser limpiado regularmente para eliminar ruido excesivo.  
Limpie simplemente el fondo del horno con detergente suave, agua o un limpiador y séquelo.  
El carril del brazo giratorio debe lavarse con agua tibia jabonosa o en un lavaplatos. Los vapores de la cocción se juntan durante el uso repetido pero no afectan el fondo del horno ni los rodillos del carril.  
Cuando retire el brazo giratorio de la cavidad del piso para limpiarlo, asegúrese de volver a ubicarlo en la posición correcta.
8. Saque los olores de su horno combinando una taza de agua con el jugo y la cáscara de un limón en un bol para microondas. Ponga esa preparación en el horno por 5 minutos, enjuague bien, seque con un trapo húmedo.
9. Cuando sea necesario reemplazar la lámpara del horno consulte al service para que lo haga..

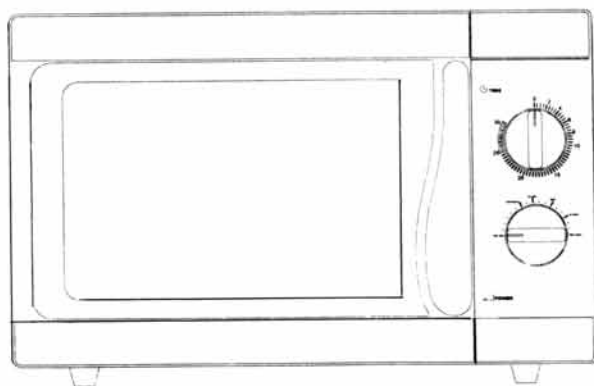




## NOTICE D'UTILISATION

FOUR A  
MICRO-ONDES

MODÈLE :  
HM-901





## INSTALLATION

1.- Assurez-vous que tous les éléments d'emballage ont été enlevés de l'intérieur de la porte du four.

2.- Révissez votre four après l'avoir déballé, afin de vous assurer de l'absence de tout dommage, tel que :

- \* Porte mal alignée
- \* Porte abîmée (ou cassée)
- \* Vitre ou cadre de la porte abîmés ou cassés
- \* Éléments cassés à l'intérieur du four

En cas de détérioration évidente, N'UTILISEZ PAS le four.

3.- Ce four à micro-ondes pèse 34,4 livres/15,6 kg et doit être posé sur une surface assez robuste pour supporter ce poids.

4.- Ce micro-ondes doit être installé loin de toute source de chaleur ou de vapeur.

5.- Ne posez rien au-dessus du four.

6.- Il est nécessaire de laisser un espace de dégagement d'au moins 8 cm de chaque côté et de 10 cm à l'arrière de l'appareil afin d'assurer une parfaite aération du four.

7.- N'enlevez pas le plateau tournant.

8.- Comme pour tous les appareils électriques, une surveillance est requise en cas d'utilisation du four par des enfants.

**AVERTISSEMENT : CET APPAREIL DOIT ÊTRE OBLIGATOIREMENT RACCORDE A LA TERRE.**

1.- Le cordon d'alimentation a 1.0 m de long. La prise de courant doit être à une distance compatible avec la longueur de ce câble.

2.- Ce four a besoin pour son installation d'une alimentation électrique de 1,4 KW/ Amp. La consultation d'un spécialiste est recommandée pour l'installation du four.

Précaution : Ce four est protégé intérieurement par un fusible de 250 V, 12 Amp.

## IMPORTANT

Les fils du cordon principal sont repérés suivant le code de couleurs suivant :

Vert-Jaune	Terre
Bleu	Neutre
Brun	Phase

Les couleurs des fils du cordon d'alimentation pouvant ne pas correspondre aux repères de couleur identifiant les bornes de votre prise, procédez de la manière suivante :

Le fil couleur vert-jaune doit être relié à la borne de la prise marquée de la lettre E ou portant le symbole de terre de couleur verte ou vert-jaune. Le fil couleur bleu doit être relié à la borne marquée de la lettre N ou de couleur noire. Le fil couleur brun doit être relié à la borne marquée de la lettre L ou de couleur rouge.

#### CARACTERISTIQUES TECHNIQUES

Tension / Fréquence	230 V ~ 50 Hz
Puissance absorbée	1 400 W
Puissance restituée	900 W
Fréquence magnétron	2 450 MHz
Contenance Interne	23 litres
Diamètre plateau tournant	314 mm
Poids net	15,6 kg

#### AVANT DE FAIRE APPEL AU SERVICE TECHNIQUE

1. Si votre four à micro-ondes ne fonctionne pas, l'affichage ne s'allume pas ou s'éteint :
  - a) Vérifiez que le four est bien branché. Sinon, débranchez la prise de courant, attendez 10 secondes et rebranchez-la.
  - b) Contrôlez l'absence de court-circuit au niveau de la prise de courant ou du disjoncteur.S'il n'y a apparemment pas d'anomalies, branchez un autre appareil sur la prise de courant pour vérifier qu'elle fonctionne.
2. Si votre four à micro-ondes ne se met pas en marche :
  - a) Contrôlez que le tableau de commande est programmé correctement et que la minuterie a été réglée.
  - b) Contrôlez que la porte est bien fermée et bloquée par les mécanismes de verrouillage de sécurité. Sinon, l'énergie des micro-ondes ne peut pas circuler dans le four.
  - c) Vérifiez que le mécanisme de verrouillage de sécurité n'apparaît pas indiqué comme verrouillé sur l'affichage. Si c'est le cas, effacez-le en appuyant en même temps sur 5 et 7. Voir page 8.

**SI VOTRE FOUR NE FONCTIONNE TOUJOURS PAS APRÈS CES CONTRÔLES, CONTACTEZ LE SERVICE TECHNIQUE AGRÉÉ LE PLUS PROCHE.**



## PARASITAGE RADIO

Des parasites peuvent se produire si le four micro-ondes est placé près d'une radio, d'un téléviseur ou d'appareils similaires. Si ceci arrive, les parasites peuvent être éliminés ou réduits en procédant comme suit :

- a) Nettoyez la porte et les surfaces des joints du four.
- b) Placez la radio, le téléviseur, etc., loin de votre four.
- c) Réorientez l'antenne de votre radio, téléviseur, etc., de façon à améliorer la réception.

## RECOMMANDATIONS IMPORTANTES

**AVERTISSEMENT:** Afin de réduire les risques de brûlures, chocs électriques, incendie, blessures chez les personnes ou éviter les surchauffes :

1. Lisez complètement la présente notice avant d'utiliser votre four à micro-ondes.
2. Les récipients fermés (par exemple, les pots en verre fermés) ou certains aliments comme les oeufs dans leur coquille peuvent exploser et ne doivent donc pas être chauffés au micro-ondes.  
Voir recettes pour plus de détails.
3. N'utilisez ce four à micro-ondes que pour l'usage spécifique auquel il est destiné, comme indiqué sur cette notice.
- 4.- Comme pour tous les appareils électriques, une surveillance est requise si le four est utilisé par des enfants.
- 5.- N'utilisez pas votre four s'il ne fonctionne pas correctement, s'il est endommagé ou s'il est tombé.
6. Afin de réduire les risques d'incendie à l'intérieur du four :
  - a) Ne faites pas chauffer les aliments à température trop élevée. Surveillez de temps en temps votre four à micro-ondes si vous utilisez du papier, du plastique ou un autre matériau combustible dans le four pour faciliter la cuisson.
  - b) Otez les attaches de fermeture métalliques des sachets avant de les mettre au four.
  - c) Si les aliments s'enflamment à l'intérieur du four, maintenez la porte fermée, éteignez le four en le mettant sur ARRET ou débranchez la prise de courant pour le séparer de son alimentation.

## MESURES DE SECURITE GÉNÉRALES

Il est important d'observer les règles de sécurité indiquées ci-après pour assurer un fonctionnement optimal du four.

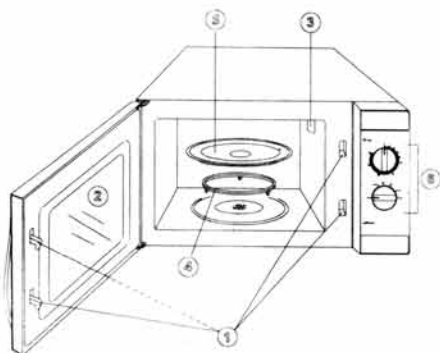
1. Laissez toujours le plateau en verre, l'anneau tournant, les accouplements et les gradins en place lorsque vous faites fonctionner le four.
2. N'utilisez votre four que pour faire cuire ou réchauffer des aliments. Ne l'utilisez jamais pour faire sécher du linge, des papiers ou autres objets non comestibles ou pour stériliser des conserves.
3. Ne faites jamais fonctionner votre four à vide car cela produirait son endommagement.
4. Ne gardez pas dans votre four des papiers ni des livres de cuisine, etc.
5. N'utilisez pas votre four pour stériliser des conserves. Les micro-ondes ne sont pas faits pour permettre une bonne stérilisation. Les aliments mal stérilisés se conservent mal et leur consommation peut être dangereuse.
6. Ne faites pas cuire les oeufs dans leur coquille car ils peuvent exploser.
7. Piquez plusieurs fois avec une fourchette les aliments entourés d'une peau ou d'une membrane comme les jaunes d'oeuf ou les foies de poulet.
8. N'introduisez jamais aucun objet dans les ouvertures du four.
9. N'enlevez aucune des parties du four, comme les plots d'appui, vis, pièces d'encastrement, etc.
10. Ne mettez jamais les aliments directement sur le plateau en verre pour les faire cuire.
11. **IMPORTANT : USTENSILES DE CUISINE A NE PAS UTILISER AU FOUR MICRO-ONDES**
  - a) N'utilisez pas de casseroles métalliques ou de plats à poignées métalliques.
  - b) N'utilisez pas de récipients ayant des décors métalliques.
  - c) N'utilisez que les sachets pour micro-ondes. N'utilisez pas les attaches de fermeture métalliques.
  - d) N'utilisez pas les récipients en mélamine car ils contiennent une matière absorbant l'énergie du micro-ondes. Cela pourrait provoquer l'endommagement des récipients (qui pourraient se casser ou brûler) et retarder le temps de cuisson.
  - e) N'utilisez que des thermomètres pour micro-ondes.
12. Les ustensiles pour cuisson au micro-ondes doivent être utilisés conformément aux recommandations de leur fabricant.
13. Ne faites pas frire d'aliments dans le four.
14. Veuillez ne pas oublier qu'un micro-ondes ne chauffe que le contenu du récipient et non le récipient lui-même. Faites donc attention lorsque vous sortez un récipient du four, car même si le couvercle n'est pas chaud au toucher, il est possible qu'une grosse quantité de vapeur s'échappe du récipient lorsque vous ouvrirez le couvercle.
15. Contrôlez toujours la température des aliments, surtout s'il s'agit d'aliments ou de liquides pour bébés. Laissez-les refroidir quelques minutes puis mélangez-les bien pour que la chaleur se répartisse régulièrement.
16. Les aliments contenant des matières grasses ou de l'eau, comme par exemple la viande grasse, doivent être laissés 30-60 secondes à l'intérieur du four après l'arrêt de l'appareil en fin de cuisson. Ce "temps de repos" permet à la chaleur de



- se répartir régulièrement dans l'aliment et évite les éclaboussures au moment de mettre une cuillère dans la préparation ou d'ajouter un cube de bouillon.
17. Veuillez tenir compte que certains aliments comme les terrines, les confitures et les viandes sans matières grasses cuisent très rapidement. N'utilisez pas de récipients en plastique pour réchauffer ou faire cuire les aliments à haute teneur en matière grasse ou en sucre.
  18. Les récipients de cuisine peuvent devenir chauds du fait de la chaleur transmise par les aliments. C'est notamment le cas lorsqu'un film plastique en recouvre la partie supérieure ou les poignées. Il faut donc utiliser des poignées isolantes et/ou des dessous-de-plat pour les prendre ou les poser.



## SCHEMA DU FOUR



- (1) Mécanismes de verrouillage de sécurité
- (2) Vitre du four
- (3) Eclairage
- (4) Anneau tournant
- (5) Plateau tournant
- (6) Tableau de commande

Pendant qu'il tourne, le plateau monte puis revient à sa position normale à chaque tour. Ce système extrêmement avancé assure une cuisson plus profonde.

### POINTS IMPORTANTS A TENIR EN COMPTE

#### Plateau tournant

en verre :

Placé au milieu de l'anneau (fig. A). Utilisez exclusivement le plateau fourni avec votre four.

Remarque : Il peut arriver que le plateau se bloque. Ceci est normal et n'affecte pas au bon déroulement de la cuisson.

#### Anneau tournant :

Placez l'anneau tournant dans son logement et vérifiez que le repère UP est vers le haut.

#### Rail de l'anneau

tournant :

N'enlevez l'anneau tournant que lorsqu'il est nécessaire de le nettoyer. Pour le remettre en place dans le micro-ondes, aligner la partie concave dans la partie inférieure du rail et les 3 saillies situées au fond de la cavité. Ceci aidera le rail de l'anneau tournant à se maintenir en place. (Fig. B).

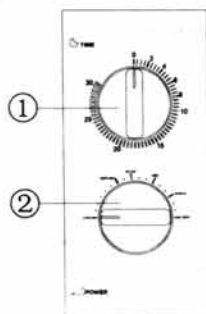
#### Accouplement :

Ne pas l'enlever de sa place.

L'anneau tournant, le rail et la surface du four doivent être nettoyés régulièrement pour un meilleur fonctionnement du micro-ondes.

## TABEAU DE COMMANDE

Suivez les instructions données pour utiliser les commandes du four.



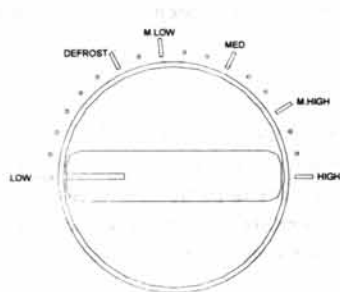
- 1.- Horloge/minuterie 0-30 minutes
- 2.- Bouton de réglage de la puissance

HIGH (Maximum)	100 % Puissance de Sortie
M. HIGH (Moyen-Haut)	85 % Puissance de Sortie
MED. (Moyen)	66 % Puissance de Sortie
M. LOW (Moyen-Bas)	48 % Puissance de Sortie
LOW (Bas)	17 % Puissance de Sortie
Defrost (Décongélation)	40% Puissance de Sortie

## FONCTIONNEMENT

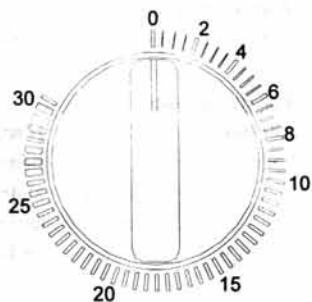
Pour programmer une cuisson.  
Mettez le plat dans le four.

### PUISSANCE



\* Tournez le bouton de réglage de la puissance jusqu'au niveau requis

### MINUTERIE



\* Programmez le temps de cuisson requis en réglant le bouton de la minuterie.



Remarque : Dès que la minuterie est programmée, le four se met en marche. Lorsque le temps à programmer est de moins de 2 minutes, tournez le bouton au-delà du repère de 2 minutes puis revenez en arrière jusqu'au temps voulu.

#### **REMETTEZ TOUJOURS LA MINUTERIE SUR LA POSITION ZÉRO**

si vous sortez la préparation du four avant la fin du temps de cuisson programmé et quand vous n'utilisez pas votre four.

#### **POUR ARRÊTER LE FOUR**

Si un programme de cuisson est en cours, appuyez sur le bouton de la porte et ouvrez celle-ci.

Les micro-ondes sont automatiquement arrêtées dans la cavité du four par le mécanisme de verrouillage de sécurité de la porte. Si vous ne voulez pas remettre en marche ensuite la cuisson, tournez le bouton de la minuterie pour le remettre sur la position 0 avant de refermer la porte.

#### **ENTRETIEN DE VOTRE FOUR A MICRO-ONDES**

1. Eteignez le four et débranchez la prise de courant avant tout nettoyage.
2. Maintenez l'intérieur du four propre. Nettoyez les éclaboussures et les débordements sur les parois du four à l'aide d'une éponge humide. Vous pouvez utiliser un détergent doux si le four est très sale. L'utilisation de nettoyeurs agressifs ou de poudres à récurer n'est pas recommandée.
3. La carrosserie extérieure du four doit être nettoyée à l'aide d'un torchon humide. Pour éviter tout endommagement des parties intérieures du four, évitez la pénétration d'eau par les ouvertures d'aération.
4. Veillez à ne jamais mouiller le panneau de commande. Nettoyez-le à l'aide d'un torchon doux et humide. N'utilisez pas de détergents, de poudres à récurer ou de sprays de nettoyage pour nettoyer le panneau de commande. Pendant le nettoyage du panneau de commande, laissez la porte du four ouverte afin de prévenir toute mise en marche intempestive du four.
5. En cas d'accumulation de vapeur autour de la partie extérieure de la porte du four, essuyez-la à l'aide d'une éponge. Ceci peut arriver lorsque le four marche dans des conditions d'humidité élevées mais cela n'est en aucun cas le signe d'un mauvais fonctionnement du four.
6. Il faut parfois enlever le plateau tournant pour le nettoyer. Lavez le plateau avec de l'eau tiède savonneuse ou au lave-vaisselle.
7. Le rail de l'anneau tournant et l'intérieur de la sole du four doivent être nettoyés régulièrement pour éviter un fonctionnement bruyant. Nettoyez simplement le fond du four avec un détergent doux et de l'eau ou avec un produit de nettoyage, puis séchez-le.



Le rail de l'anneau tournant doit être lavé avec de l'eau tiède savonneuse ou au lave-vaisselle. Les vapeurs de la cuisson s'accumulent en cas de cuissons enchaînées, mais elles n'affectent pas le fond du four ni les galets du rail.

Lorsque vous avez enlevé l'anneau tournant de son logement pour le nettoyer, assurez-vous de le remettre correctement en place ensuite.

8. Pour éliminer les odeurs à l'intérieur du four, faites bouillir une tasse d'eau avec du jus et une écorce de citron dans un bol pour micro-ondes. Laissez cette préparation dans le four pendant 5 minutes, rincez bien puis séchez avec un torchon propre.
9. Lorsque la lampe du four a besoin d'être remplacée, faites appel au service technique pour qu'il le fasse.