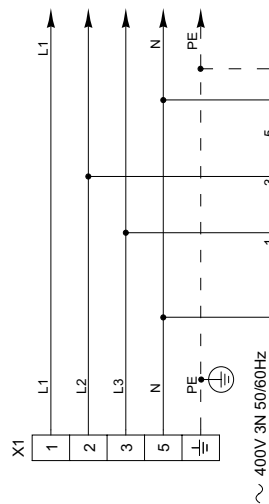
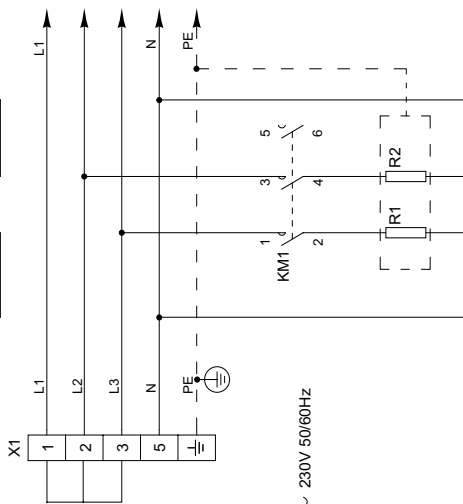


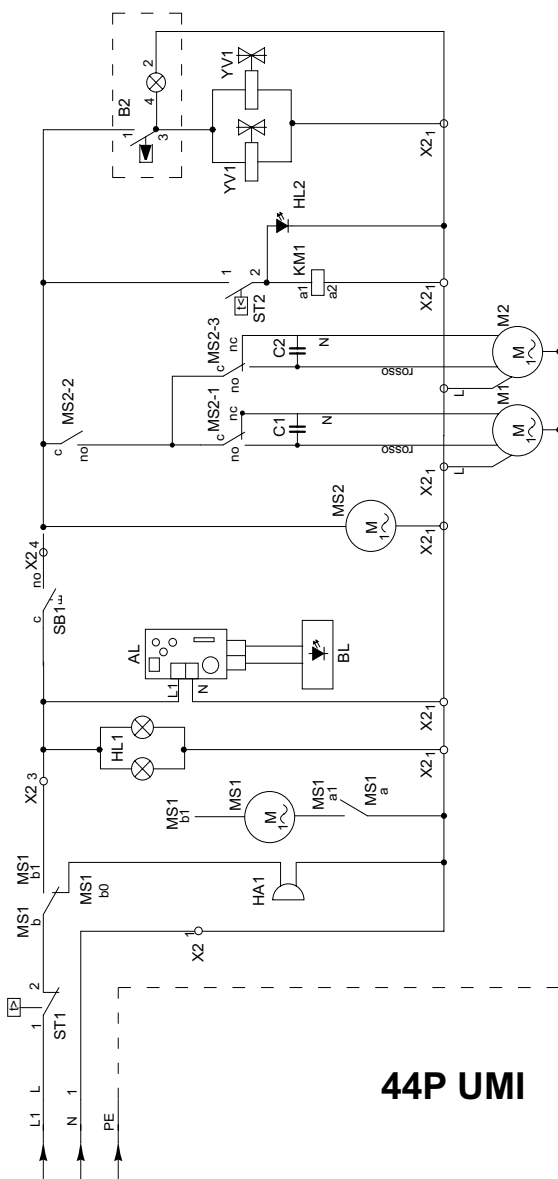
4.0 - Schemi elettrici - Wiring diagrams - Schémas électriques Schaltpläne - Esquemas eléctricos



~ 400V 3N 50/60Hz



~ 230V 50/60Hz



44P UMI

- | | | |
|-----|---------------------------------|----------------------------------|
| AL | ALIMENTATORE | TRANSFORMER |
| C1 | CONDENSATORE | CAPACITOR |
| C2 | CONDENSATORE | CAPACITOR |
| BL | BACK LIGHT - RETROILLUMINAZIONE | BACK LIGHT - HUMIDITY REGULATION |
| BZ | PULSANTE UMIDIFICAZIONE | BUZZER |
| HA1 | AVVISATORE ACUSTICO | HALLOGEN LAMP |
| HL1 | LAMPADA CELLA | HALLOGEN LAMP |
| HL2 | SEGNALATORE SPIA TERMOSTATO | LIGHT THERMOSTAT |
| KM1 | CONTATTORE RESISTENZE | ELEMENTS CONTACTOR |
| M1 | MOTORE VENTILATORE | MOTOR FAN |
| M2 | MOTORE VENTILATORE | MOTOR FAN |
| MS1 | TEMPORIZZATORE | TIMER |
| MS2 | INVERTITORE DI MARCIA | REVERSING SWITCH |
| R1 | RESISTENZA | HEATING ELEMENT |
| R2 | RESISTENZA | HEATING ELEMENT |
| SB1 | MICROINTERRUTTORE PORTA | DOOR SWITCH |
| ST1 | TERMOSTATO DI SICUREZZA | SAFETY THERMOSTAT |
| ST2 | TERMOSTATO DI COTTURA | COOKING THERMOSTAT |
| X1 | MORSETTIERA DI ALIMENTAZIONE | SUPPLY TERMINAL BOARD |
| X2 | MORSETTIERA DI DERIVAZIONE | BRANCH TERMINAL BOARD |
| YV1 | ELETTROVALVOLA ACQUA | SOLENOID VALVE HUMIDIFIER |

- | | |
|-----------------------------|---------------------------------------|
| TRANSFORMATEUR | TRANSFORMATOR |
| CONDENSATEUR | CONDENSATOR |
| CONDENSATEUR | CONDENSATOR |
| BACK LIGHT - UMIDIFICATION | BACK LIGHT - REGULATION UMIDIFICATION |
| AVERTISSEUR ACOUSTIQUE | ALLARMSUMMER |
| HALLOGENE LAMPE | LAMPARA |
| LAMPE THERMOSTAT | LAMPE TERMOSTATO |
| CONTACTEUR RESISTENCE | CONTACTOR RESISTENCIA |
| MOTEUR | MOTOR |
| TEMPORISATEUR | TEMPORISADOR |
| INVERSEUR | INVERSOR ROTACION MOTOR |
| RESISTANCE | RESISTENCIA |
| RESISTANCE | RESISTENCIA |
| MICRO PORTE | MICRO PUERTA |
| TERMOSTAT DE SECURITE | TERMOSTATO DE SEGURIDAD |
| BOURNE ALIMENTATION | REGLETE DE ALIMENTACION |
| BORNE DE DERIVATION | REGLETE DE DERIVACION |
| ELECTROVANNE HUMIDIFICATEUR | ELECTROVALVULA HUMIDIFICADOR |

- | | |
|-------------------------------------|-------------------------------------|
| TRANSFORMATOR | TRANSFORMATOR |
| CONDENSATOR | CONDENSATOR |
| CONDENSATOR | CONDENSATOR |
| BACK LIGHT - BASHWANDUNGSREGULATION | BACK LIGHT - BASHWANDUNGSREGULATION |
| ALLARMSUMMER | ALLARMSUMMER |
| HALLOGENBELEUCHTUNG | HALLOGENBELEUCHTUNG |
| KONTROLLAMPE | KONTROLLAMPE |
| HEIZKORPERSCHUTZ GARRAUM | HEIZKORPERSCHUTZ GARRAUM |
| MOTOR | MOTOR |
| TIMER | TIMER |
| POLWENDER | INVERSOR ROTACION MOTOR |
| HEIZKORPER | RESISTENCIA |
| HEIZKORPER | RESISTENCIA |
| TURKONTAKTSCHALTER | MICRO PUERTA |
| SICHERHEITSTHERMOSTAT | TERMOSTATO DE SEGURIDAD |
| THERMOSTAT ZELLE | REGLETE DE ALIMENTACION |
| ABZWEIGUNGSKLEMMENLEISTE | REGLETE DE DERIVACION |
| MAGNETICVENTIL BESCHWADUNG | ELECTROVALVULA HUMIDIFICADOR |