

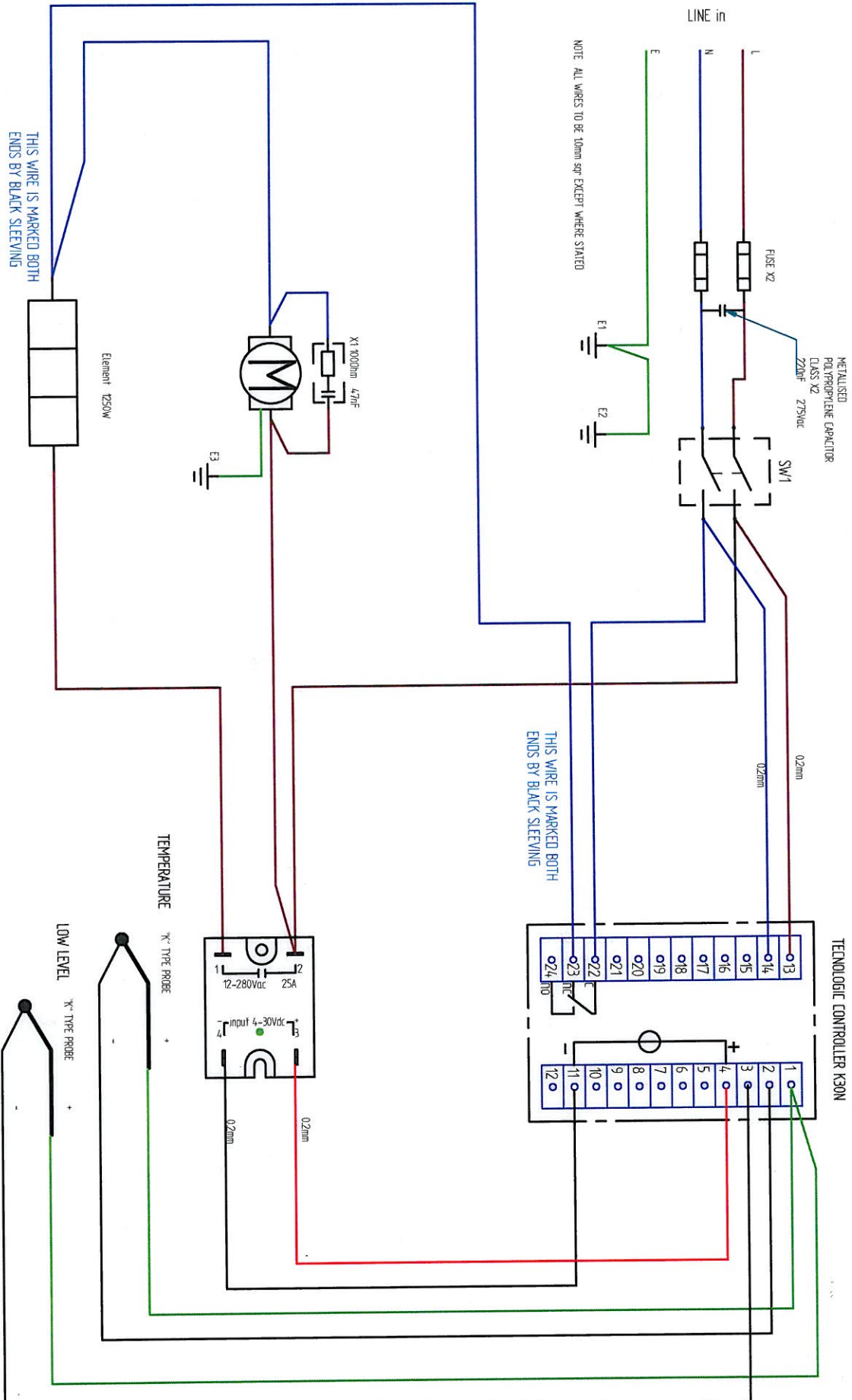
3RD ANGLE PROJECTION

DO NOT SCALE

REMOVE ALL SHARP CORNERS AND EDGES UDS

ALL DIMENSIONS IN mm

IF IN DOUBT ASK



DESCRIPTION

SAMMIC SOUS VIDE STIRRER

DRWNO: 24/9/02

MATERIAL: SEE PARTS LIST

FINISH: UNBLEISHED

TOLERANCES UDS

HOLE DIA +0.2 mm
HOLE CTRS +/-0.25 mm
GENERAL +/-0.50 mm

DRN	MJC	1	30/08/2011	LR	MJC
DATE	19/07/2011	ISSUE	DATE	MOD	SIGN
SCALE	N.T.S	SHEET	2 OF 2		

DRG No.

S4EA