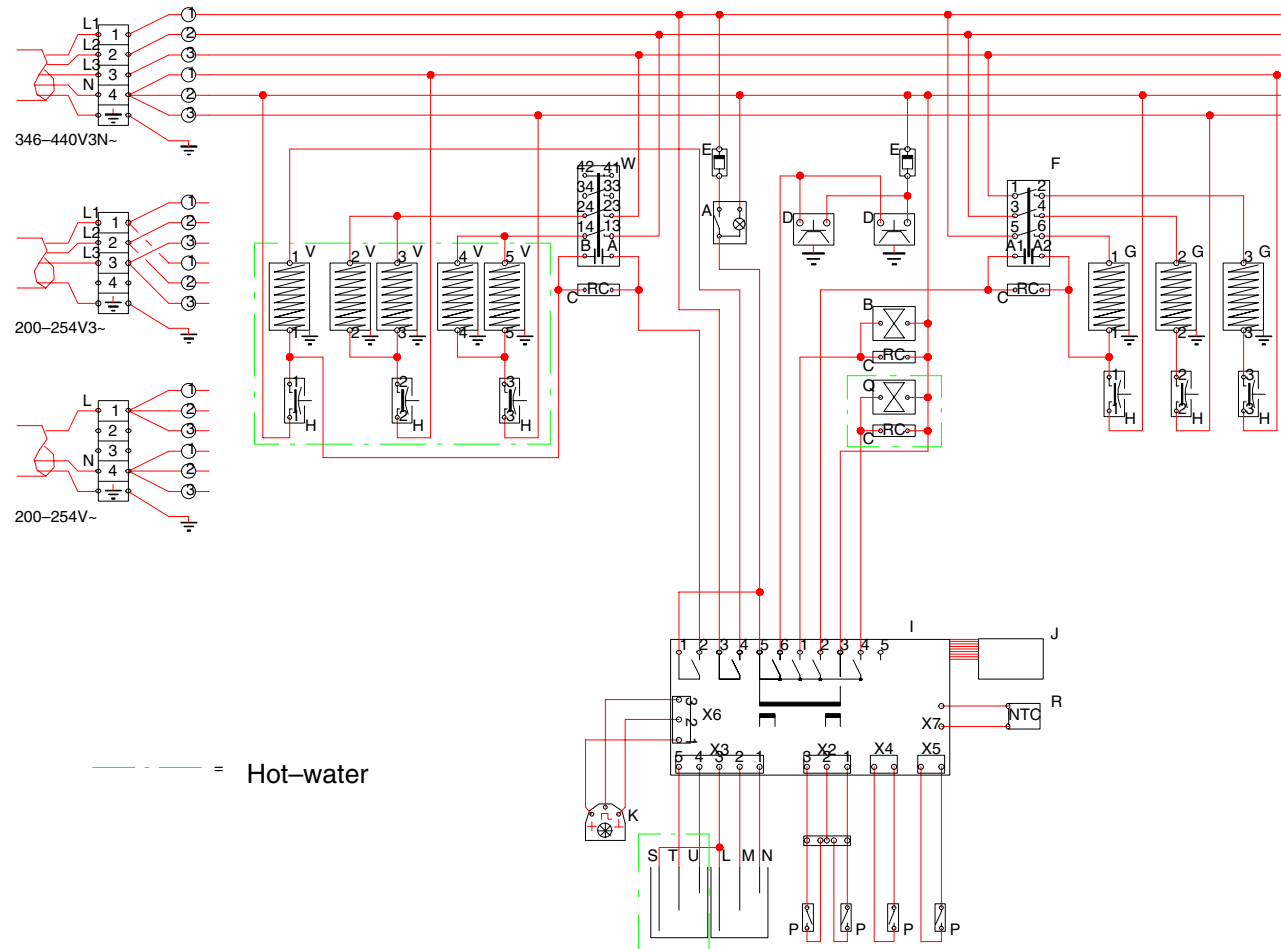


B20 HW-5 (AFTER 2000)



700.406.595C

- A. Switch
- B. Magnetic valve
- C. RC
- D. Wall socket
- E. Fuse
- F. Magnetic switch
- G. Flow boiler
- H. High temperature safety
- I. Print
- J. Keyboard
- K. Counter
- L. Electrode
- M. Electrode
- N. Electrode
- P. Magnetic switch
- Q. Magnetic valve
- R. NTC
- S. Electrode
- T. Electrode
- U. Electrode
- V. Element
- W. Relay