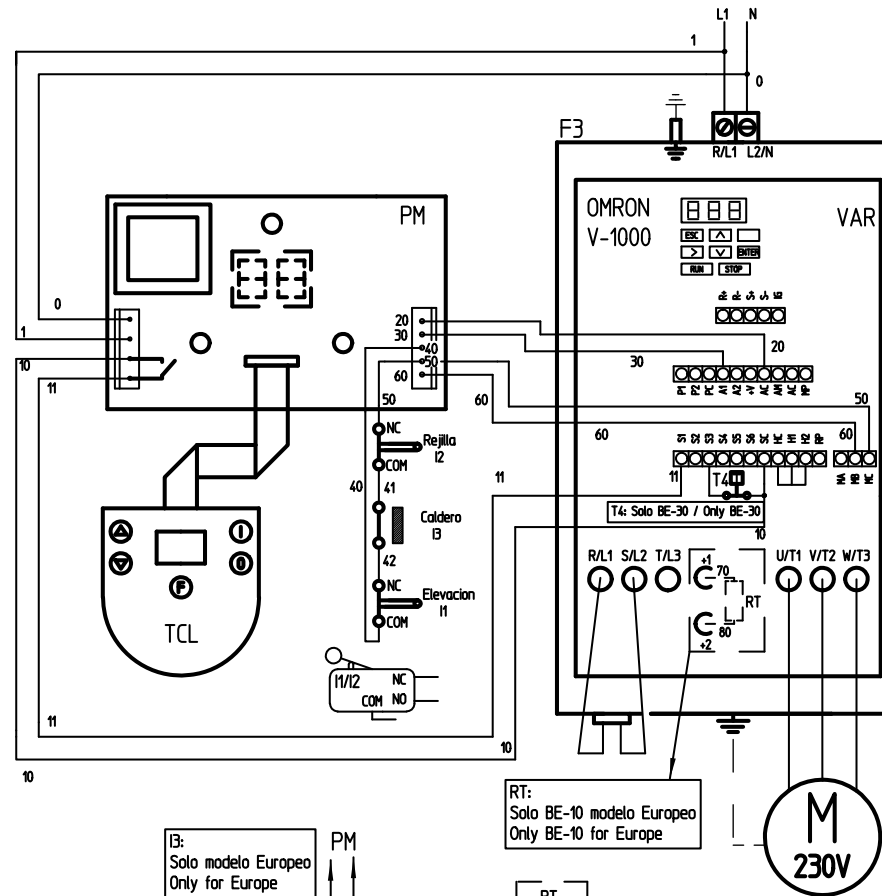


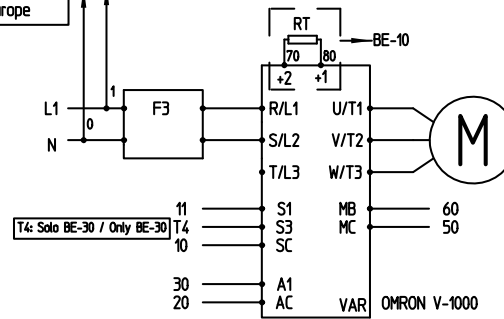
	Denominación	Description	Denomination
<b>F3</b>	FILTRO SUPRESION INTERFERENCIAS	INTERFERENCES SUPPRESSION FILTER	FILTRE SUPPRESSION INTERFÉRENCE
<b>I1</b>	MICRO ELEVACIÓN	LIFT MICROSWITCH	MICRORRUPTEUR ÉLÉVATION
<b>I2</b>	MICRO REJILLA	GRID MICROSWITCH	MICRORRUPTEUR GRILLE
<b>I3</b>	MICRO CALDERO	BOWL MICROSWITCH	MICRORRUPTEUR CUVE
<b>M</b>	MOTOR	MOTOR	MOTEUR
<b>PM</b>	PLACA MANDOS	CONTROL PANEL	PLAQUE DE COMMANDES
<b>RT</b>	REACTANCIA	REACTANCE	RÉACTANCE
<b>TLC</b>	TECLADO	KEYBOARD	CLAVIER
<b>T4</b>	PROTECCION TERMICA MOTOR	THERMIC MOTOR PROTECTION	PROTECTION THERMIQUE DU MOTEUR
<b>VAR</b>	VARIADOR DE VELOCIDAD	SPEED CONTROL	VARIATEUR VITESSE

208-240 V / 50-60 Hz / 1 ~



I3: Solo modelo Europeo  
Only for Europe

RT: Solo BE-10 modelo Europeo  
Only BE-10 for Europe



VARIADOR (VAR):  
BE-10: 0.55 kW  
BE-10C: 1.1 kW  
BE-20: 1.1 kW  
BE-20C: 1.5 kW  
BE-30/30C: 1.5 kW  
BE-40/40C: 1.5 kW

MOTOR (M):  
BE-10: 0.55 kW  
BE-10C: 0.75 kW  
BE-20/20C: 0.9 kW  
BE-30/30C: 1.1 kW  
BE-40/40C: 1.4 kW