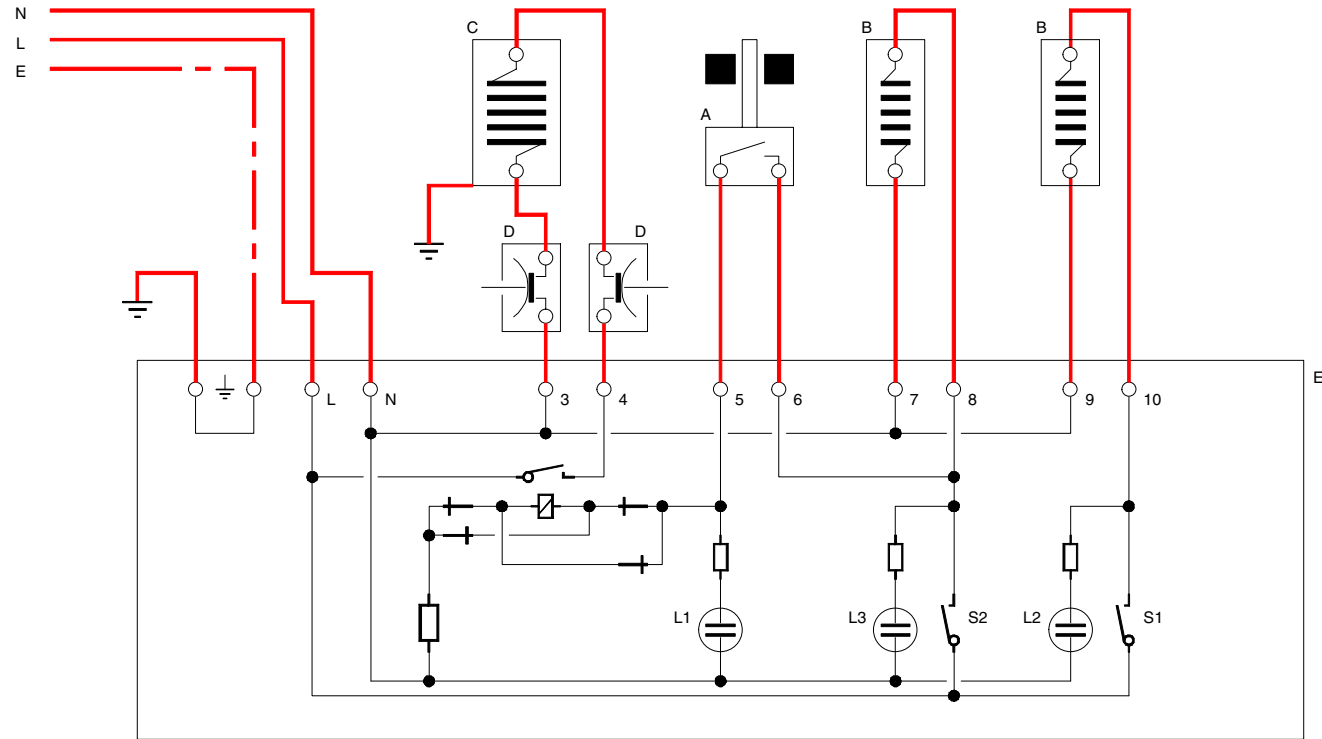


NOVO 2



700.406.457

- A. Switch
- B. PTC element
- C. Flow boiler
- D. High temperature safety
- E. Print