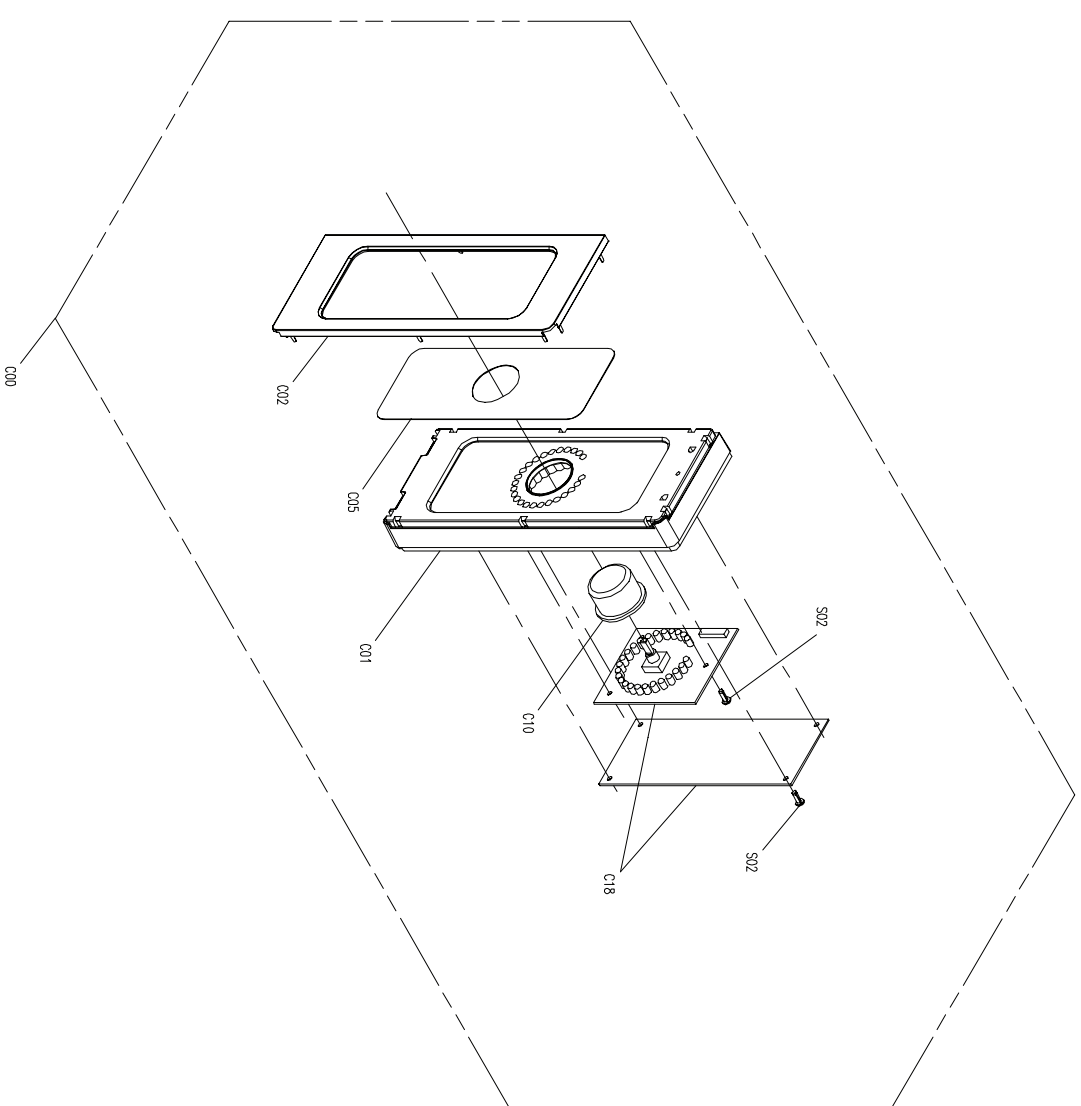
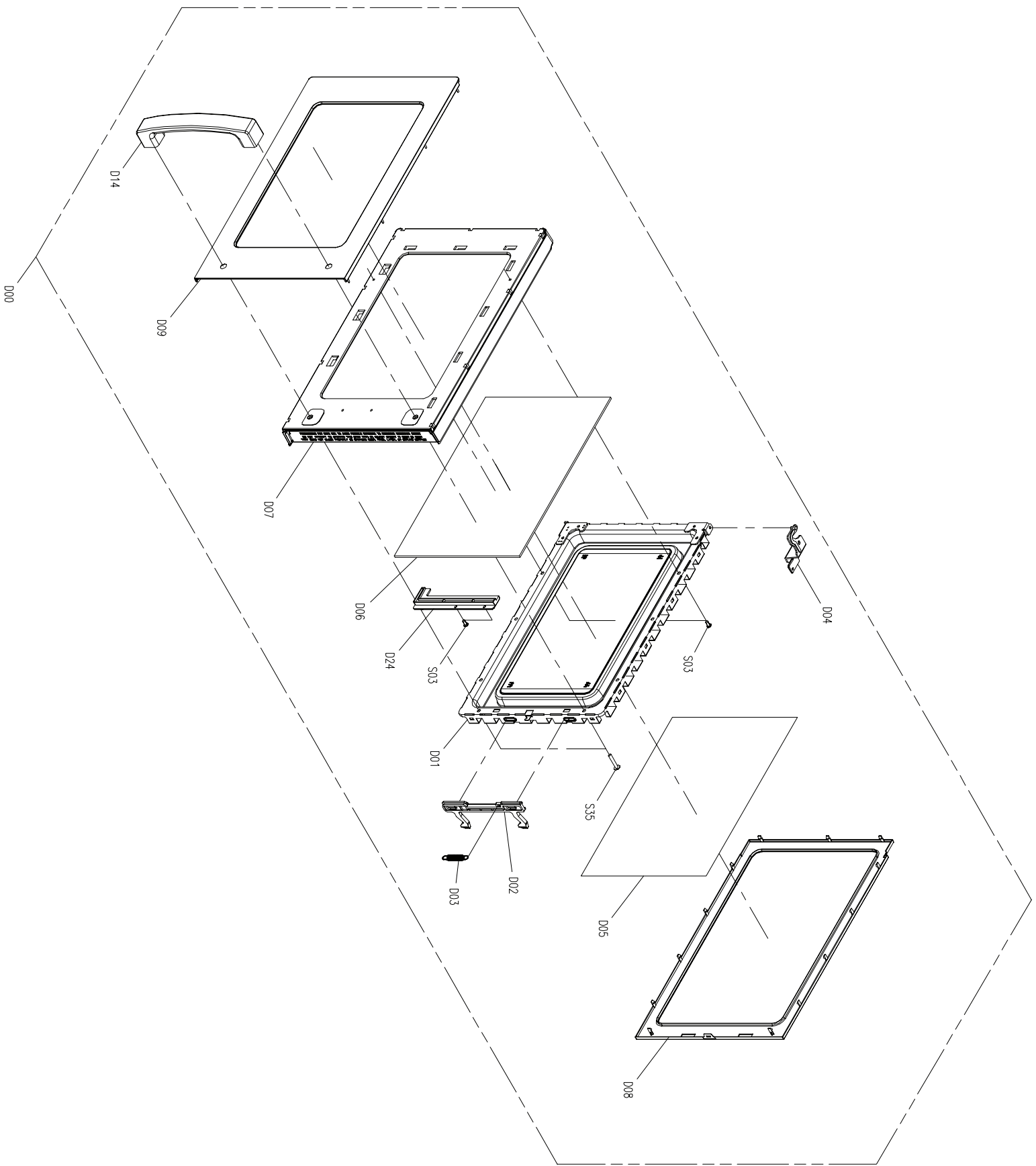


Z40	防水支架	WATER SEALING BRACKET	1	
Z43	导风管	Wind GUIDE COVER	1	
W04	防震块	RUBBER NOISE GUARD OIL *R	2	
Z29	右挡油板	GUARD OIL *R	1	
Z24	外罩	CASE OUT	1	
Z22	海绵条	SPONGE	1	
W16	导风板	DAMPER	1	
Z11	搅拌片 (无转盘)	FAN STIRRER	1	
Z01	电感器类	HOLDER H.V.C	1	
W03	风扇电机	MOTOR FAN	1	
W02	扇叶	FAN	1	
W01	风扇支架	GUIDE FAN	1	
T09	搅拌轴	SHAFT STIRRER	1	
T03	转盘电机	MOTOR TRAY	1	
S21	弹簧垫圈 $\phi 4.1$	SPRING WASHER $\phi 4.1$	1	
S18	螺钉 $\phi 4.1 \times 6$	Screw $\phi 4.1 \times 6$	2	
S17	螺钉 ST3*10PWTHC	Screw ST3*10PWTHC	1	
S08	螺钉 CT4*10HWHHC (倍)	Screw CT4*10HWHHC	2	
S07	螺钉 CT4*8TBHC (倍)	Screw CT4*8TBHC	8	
S06	螺钉 ST4*20TBHC	Screw ST4*20TBHC	2	
S05	螺钉 ST4*12PWbHC	Screw ST4*12PWbHC	3	
S04	螺钉 ST4*10TBHC	Screw ST4*10TBHC	15	
S02	螺钉 ST3*8PBWHC	Screw ST3*8PBWHC	8	
S01	螺钉 CT3*8BBHC	Screw CT3*8BBHC	2	
L05	线束	HARNES MAIN	1	
L04	监控开关	MICROSWITCH MONITOR	1	
L03	联锁开关	MICROSWITCH INTERLOCK	2	
L02	联锁按钮	LEVER SWITCH	1	
L01	联锁支架	BOARD LATCH	1	
E40	温控 110/70 ± 1	Thermostat 110/70 ± 1	1	
E35	温控器 160/95 ± 1	ThRMOSTAT 160/95 ± 1	1	
E28	高压保险丝	Ass'y H.V.Fuse	1	
E16	电源线组件	POWER CORD ASS'Y	1	
E13	灯泡	LAMP	1	
E11	保险管	FUSE	1	
E10	滤波板	FILTER NOISE	1	
E07	高压二极管	H.V.DIODE	1	
E06	高压电容	H.V.CAPACITOR	1	
E05	高压变压器	H.V.TRANSFORMER	1	
E01	磁控管	MAGNETRON	1	
B03	下铰链组件	ASS'Y BRKT HINGE *U	1	
B02	护脚	LEG	4	
B01	底板	BASE PLATE	1	
A09	内隔板 (无转盘用)	PRANT COVER *1	1	
A00	腔体组件	ASS'Y CAVITY	1	
W04	进风风罩	Guide Wind	1	
No.	零部件名称	part name	Quantity	Material or spec

The exploded drawing for
EM025FDN-S05E



S35	磁石M4x30PBHC	SCREW ST4x30PBHC	2			
S03	磁石ST4x8PBHC	SCREW ST4x8PBHC	4			
D24	玻璃板	GLASS FIXTURE	1			
D14	把手	HANDLE	1			
D09	门装饰件	DOOR DECORATION	1			
D08	门铰	DOOR GASKET	1			
D07	门铰	DOOR PANEL	1			
D06	门铰	DOOR SCREEN	1	S02	磁石ST3x8PBHC	SCREW ST3x8PBHC
D05	门铰	DOOR INNER FILM	1	C18	磁石	PCB ASS'Y
D04	门铰	UPPER HINGE	1	C10	磁石	DIAL KNOB
D03	门铰	LATCH SPRING	1	C05	磁石	CONTROL PANEL DECORATION
D02	门铰	LATCH	1	C02	磁石	CONTROL PANEL DECORATION
D01	门铰	DOOR FRAME ASS'Y	1	C01	磁石	CONTROL PANEL
D00	门铰	DOOR	1	C00	磁石	CONTROL PANEL ASS'Y
No.	零件名称	Part Name	Qty.	No.	零件名称	Part Name