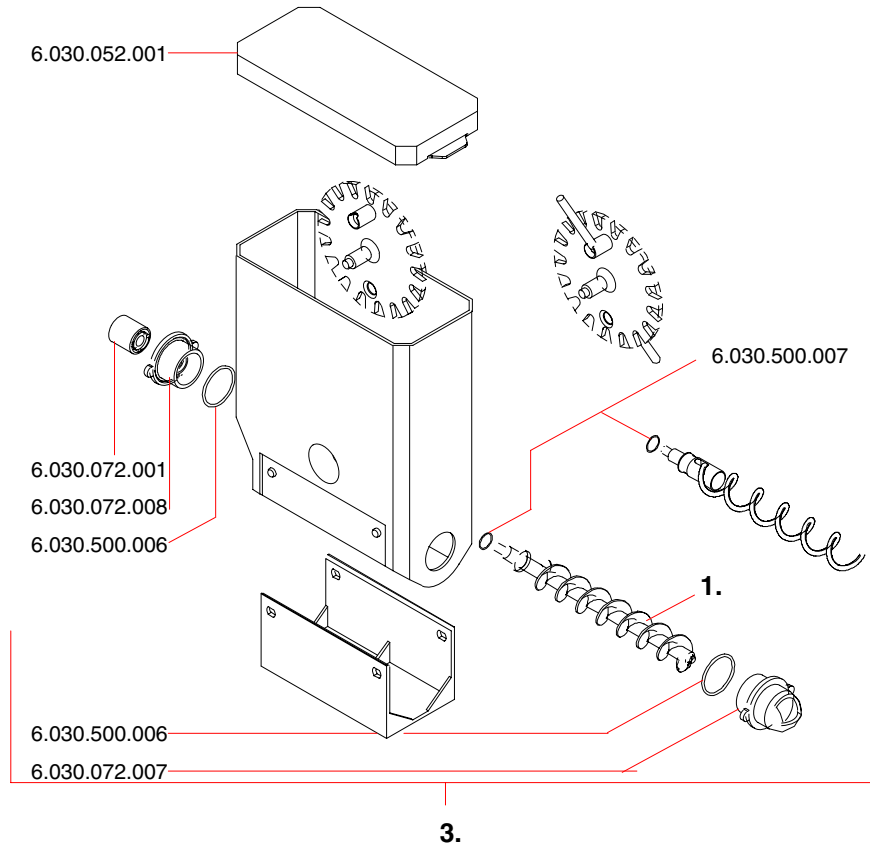
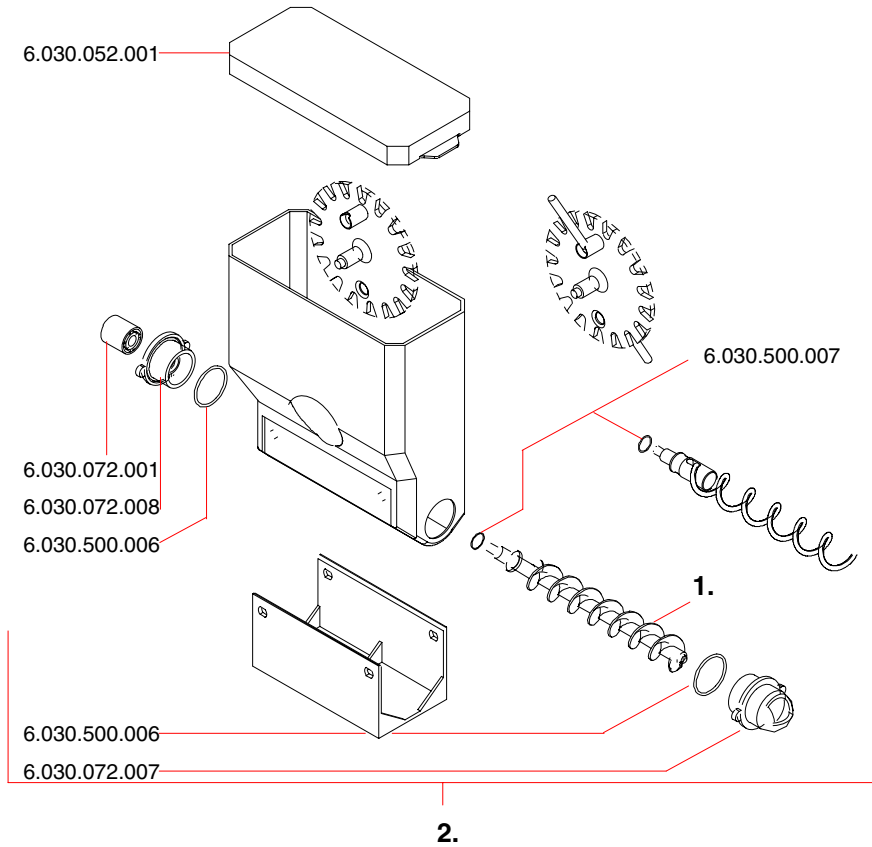
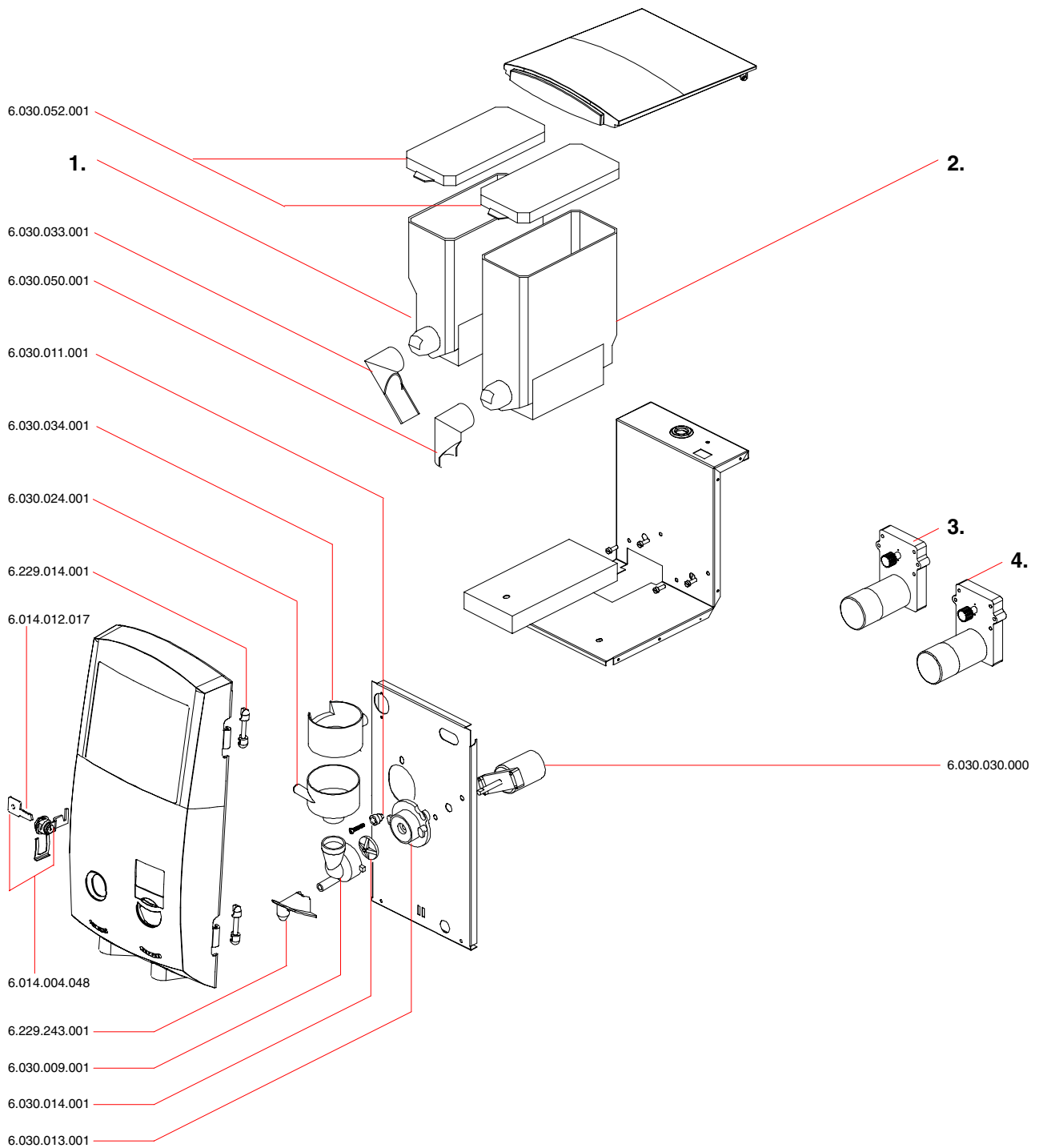


CANISTERS BOLERO 20/21/22



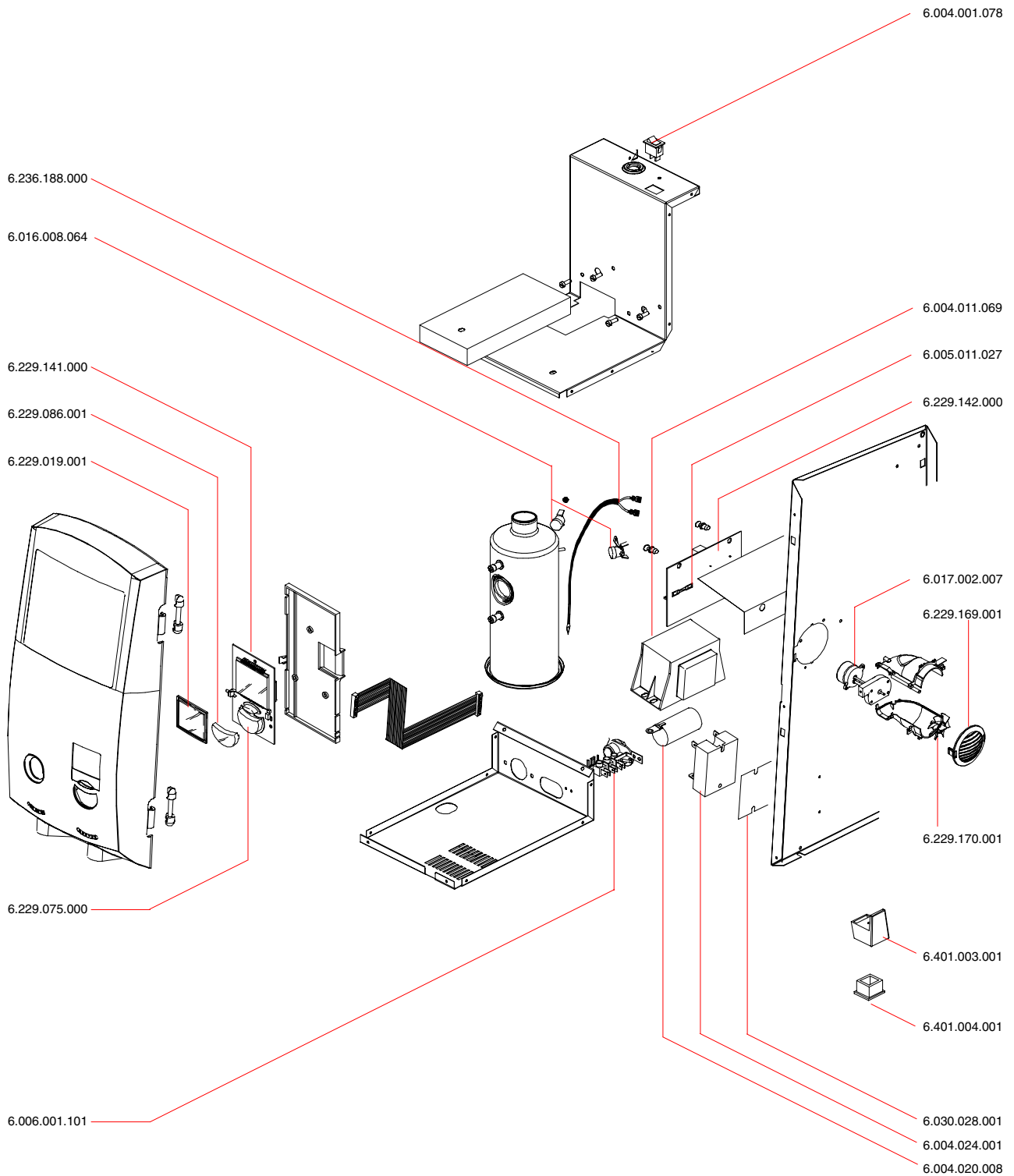
		Bolero 20		Bolero 20 Maggi		Bolero 21		Bolero 22	
		Uu	uU	Uu	uU	Uu	uU	Uu	uU
1.	STD	6.030.072.002		6.030.072.002	6.030.072.002	6.030.072.002			
2.	STD	6.030.031.001		6.030.073.003		6.030.031.001		6.030.073.001	
3.	STD		6.030.051.001		6.030.073.004		6.030.032.001		6.030.032.001

BOLERO 20/21/22

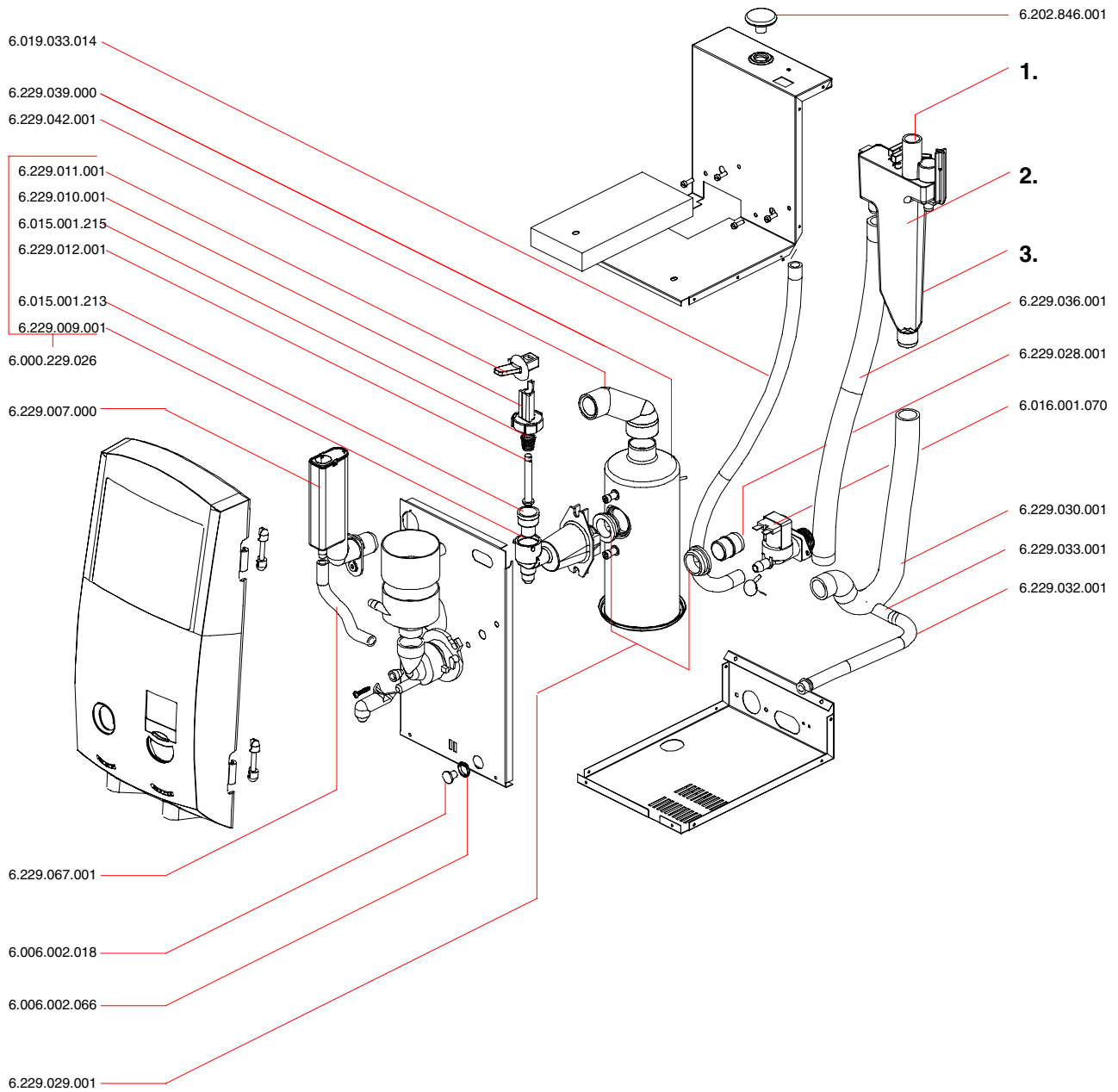


		Bolero 20	Bolero 21	Bolero 22
1.	STD	6.030.031.001	6.030.031.001	6.030.073.001
2.	STD	6.030.051.001	6.030.032.001	6.030.032.001
3.	STD	6.030.023.001	6.030.023.001	6.030.027.001
4.	STD	6.030.023.001	6.030.027.001	6.030.027.001

BOLERO 20/21/22



BOLERO 20/21/22



		Bolero 20, Bolero 21, Bolero 22
1.	STD	6.229.005.000
	N	
2.	STD	6.229.006.001
	N	
3.	STD	
	N	6.229.266.000